

## K4 Main Sink Dual Spray Pull-Out, 32 071 - Kitchen/Bar /Basin Tap

[Print](#) Page 1

### Main Image



### Description

- GROHE RealSteel® Stainless Steel Construction (SD0 and KD0 versions)
- Solid brass body (000 version)
- Ceramic cartridge
- Dual spray control -- switches back and forth between regular flow and spray
- SpeedClean anti-lime system
- Single lever handle
- Variable handle positioning (left, right, or center and all points in between)
- 9 1/8" spout reach

### Flow Rate


2.2 gpm at 60 psi, 2.5 gpm at 80 psi (9.5 lpm)

### Code Compliance

- ASME/ANSI A112.18.M
- ANSI/NSF Standard 61
- ADA Compliant

### Finishes



32 071 OOO Starlight   
 Chrome  
 \$725.00



32 071 SD0 Stainless  
 Steel  
 \$1059.00



32 071 KD0 Stainless  
 Steel/Black  
 \$1059.00

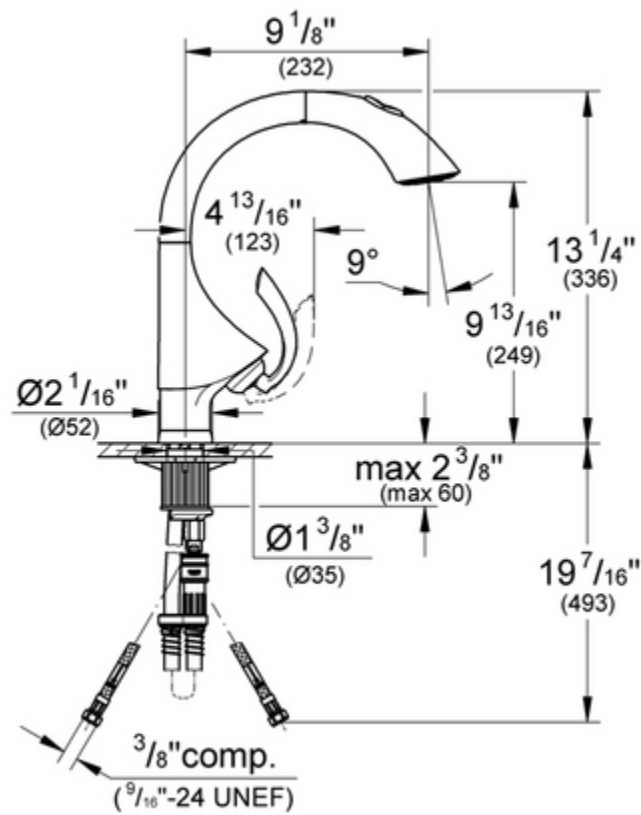


32 071 DCO SuperSteel  
 \$899.00

GROHE AMERICA, INC \* 241 COVINGTON DRIVE, BLOOMINGDALE, IL 60108 \* 630-582-7711 \* FAX: 630-582-7722

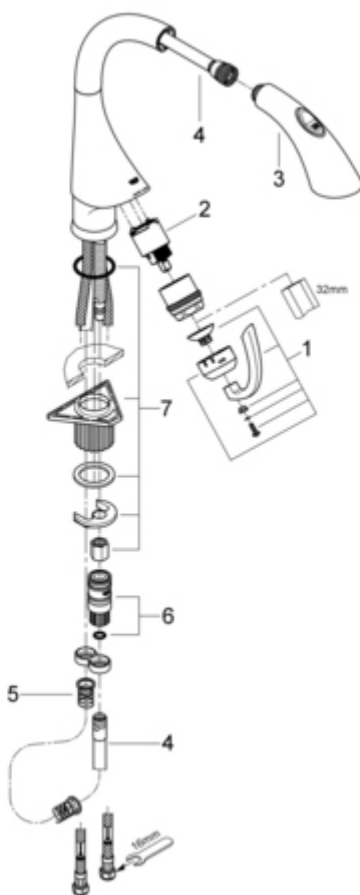
## /Basin Tap

## Dimensional Drawing



GROHE AMERICA, INC \* 241 COVINGTON DRIVE, BLOOMINGDALE, IL 60108 \* 630-582-7711 \* FAX: 630-582-7722

## Exploded View with Spare Parts List



Pos No.	Spare Part Description	Product No.	Pcs.
<b>32 071</b>			
1	Lever assembly	46 572	1
2	Ceramic cartridge	46 374	1
3	Hand held spray	46 573	1
4	Hose	46 174	1
5	Pressure spring	07 240	1
6	Quick coupling	46 315	1
7	Mounting kit	46 346	1
<b>Special Accessories</b>			
	10" Euro escutcheon	07 552	1
	10" two hole Euro escutcheon	07 555	1

GROHE AMERICA, INC \* 241 COVINGTON DRIVE, BLOOMINGDALE, IL 60108 \* 630-582-7711 \* FAX: 630-582-7722