



Powered by the impossible

– The next generation of circulators

Grundfos is proud to introduce the next generation of energy efficient circulators – the Grundfos ALPHA. By incorporating a permanent magnet motor design, power consumption is now reduced by 50%. The Grundfos ALPHA adapts to the variable demands of the system without sacrificing comfort. Using the AutoAdapt feature, the Grundfos ALPHA will analyze the system and adjust to meet your heating demands.

AutoAdapt

- Measures system changes automatically
- Maximizes energy savings

Easy-to-use operation

- Select a mode with the touch of a button
- Easy-to-read LED display shows flow and power consumption

Simple plug connections

- No wiring required

Cast Iron
ALPHA 15-55F



Stainless Steel
ALPHA 15-55SF

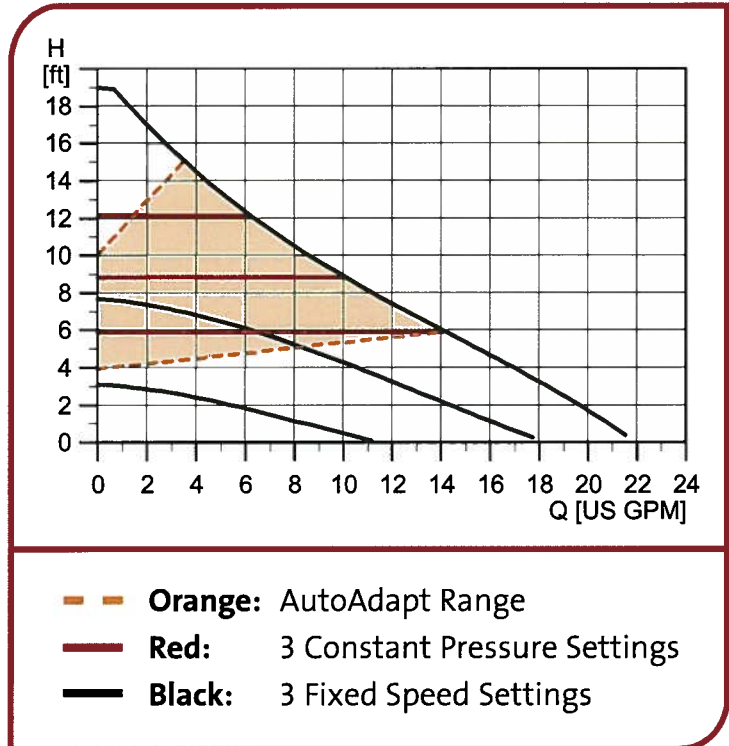
Technical Data:

Flow Range: 0 to 21 GPM
Head Range: 0 to 19 Feet
Motor: 1X115V
Min. Fluid Temperature: 36°F (2°C)
Max. Fluid Temperature: 230°F (110°C)
Max. Working Pressure: 150 PSI

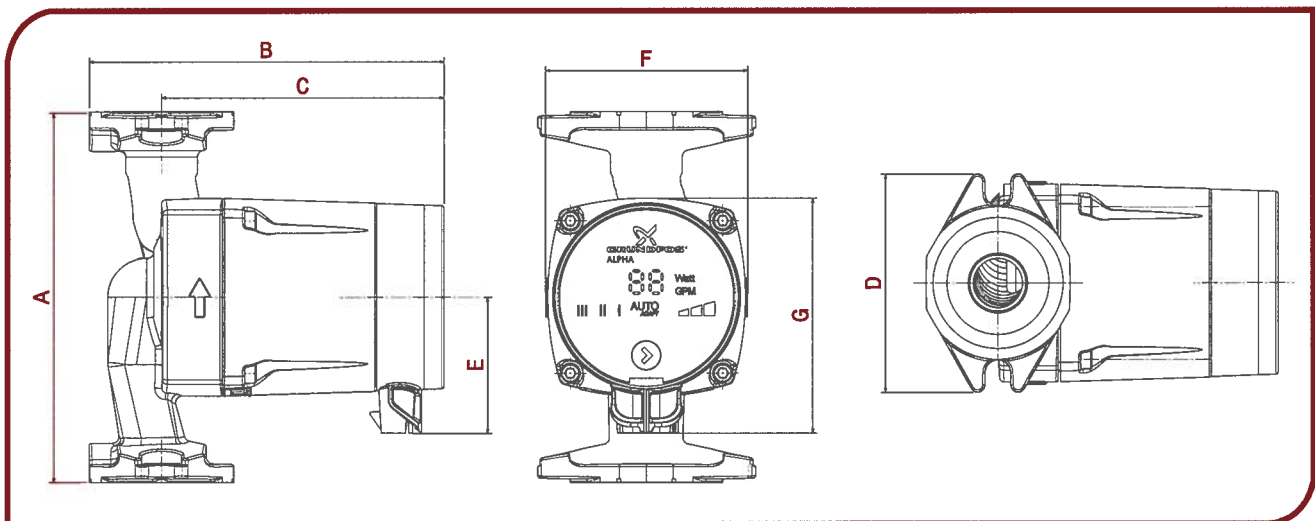
Electrical Data:

Watts: 5-45W
Amps: 0.65A

Performance Curve:



Dimensional Drawing:



A	B	C	D	E	F	G
6-1/2	6-3/16	4-15/16	3-13/16	2-3/8	3-7/16	4-1/8

L-AL-SL-001 1/09 (US)